

ETK TRM Single-phase transformer for medical use

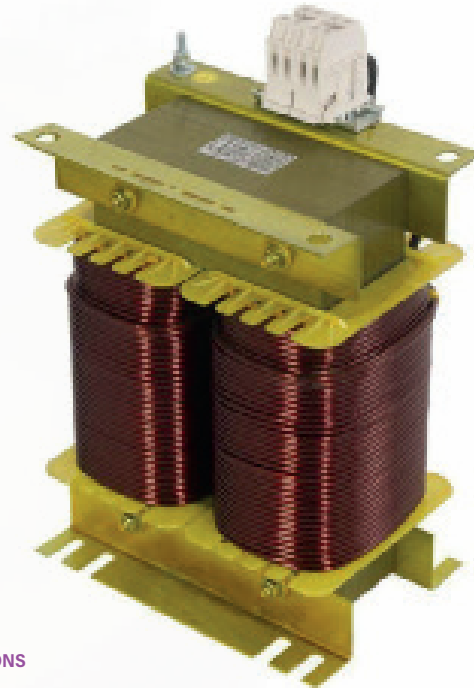
GENERAL INFORMATION

Single-phase transformer with galvanic isolation between primary and secondary, for assembly in medical facilities with an IT system, such as surgical units, ICU, UVI, resuscitation, in accordance with IEC EN 61558-2-15: 2012.

Suitable for generating neutral IT regime in installations with processes sensitive to disruptions.

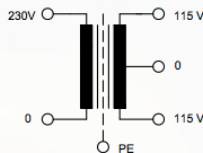
It includes thermal overload and overheat protector, with low loss magnetic core.

Electrostatic display between windings connected to independent terminal.



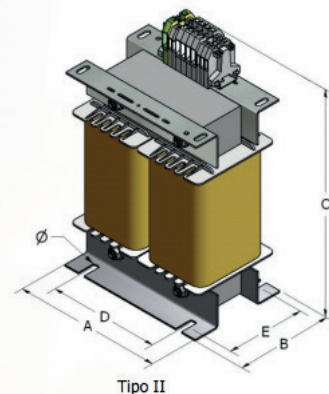
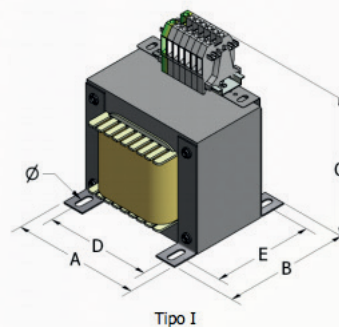
TECHNICAL DATA

POWER	3 - 10kVA
PRIMARY VOLTAGE	230V~ + N
SECONDARY VOLTAGE	230V~ + N
Frequency	50/60 Hz
Thermal class	F (155°C)
Protection index	IP 00
Test voltage	4kV - 2kV
Electric shock protection	Class I
Connection current	12 x In
PRI vacuum intensity	3%
Short-circuit voltage	3,3-4%Vcc
Leakage current	100 µA
Insulation resistance	7 MΩ



VERSIONS AND DIMENSIONS

REFERENCE	POWER (kVA)	DIMENSIONS (mm)					Ø	WEIGHT (kg)	TYPE
		A	B	C	D	E			
ETK TRM 3	3,15	240	176	270	200	133	12	32,3	I
ETK TRM 3,5	3,5	240	186	270	200	143	12	34	I
ETK TRM 4	4	240	136	375	150	110	11	33	II
ETK TRM 5	5	240	156	380	150	131	11	34,5	II
ETK TRM 6	6,3	240	176	390	150	151	11	40	II
ETK TRM 8	8	280	176	430	225	149	11	48,3	II
ETK TRM 10	10	280	216	430	225	189	11	66	II



REGULATIONS

IEC EN 61558-2-15:2012
IEC EN 61558-1: 2007

